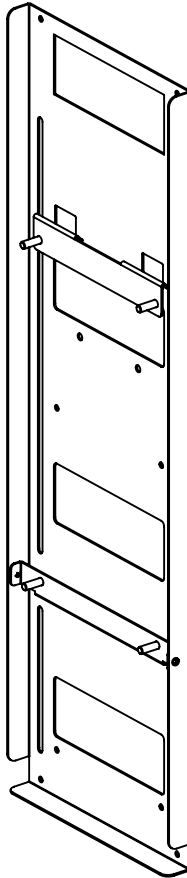


# Installation Guide

SPDS4001

Wall mount for Samsung SH37F Screen





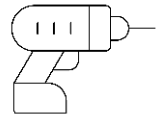
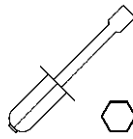
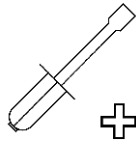
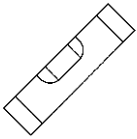
## CAUTION

- This product must be installed by a professional installer.
- This product is designed to be wall mounted. Before installing, please verify that the wall can bear the combined weight of the solution and hardware. Standard fixings for wooden material and fixings for concrete material are supplied as part of the product, but they will not be suitable for all types of walls. It is the responsibility of the installer to use the appropriate fixings for the specific installation location.
- The maximum weight limit for this product is 10 kg. Do not exceed the stated weight limit.
- This product is intended for indoor use only.
- Please don't power the hardware, until the entire solution is fully assembled.
- If these installation instructions are not followed precisely, it could lead to product failure and potential personal injury.
- Ergonomic Solutions / SpacePole inc. cannot be held responsible for any product failure or personal injury, if the installation instructions are not followed correctly.
- Ergonomic Solutions / SpacePole inc. cannot be held responsible for any product failure or personal injury, if any modifications have been made to the product by the customer.

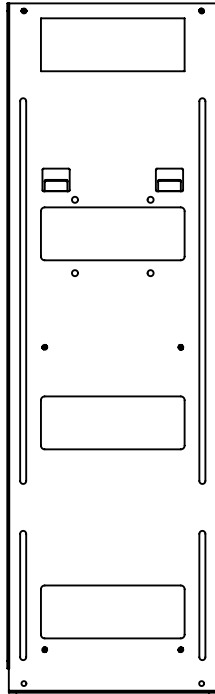
## MAINTENANCE

- It is the responsibility of the customer to periodically check the installation and ensure it is clean, all air ventilation holes are free and all fixings are tightened correctly.

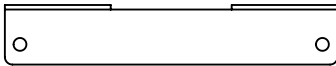
## Tool list



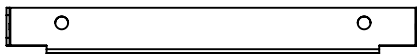
## Box content



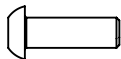
1x (A)



1x (B)



1x (C)

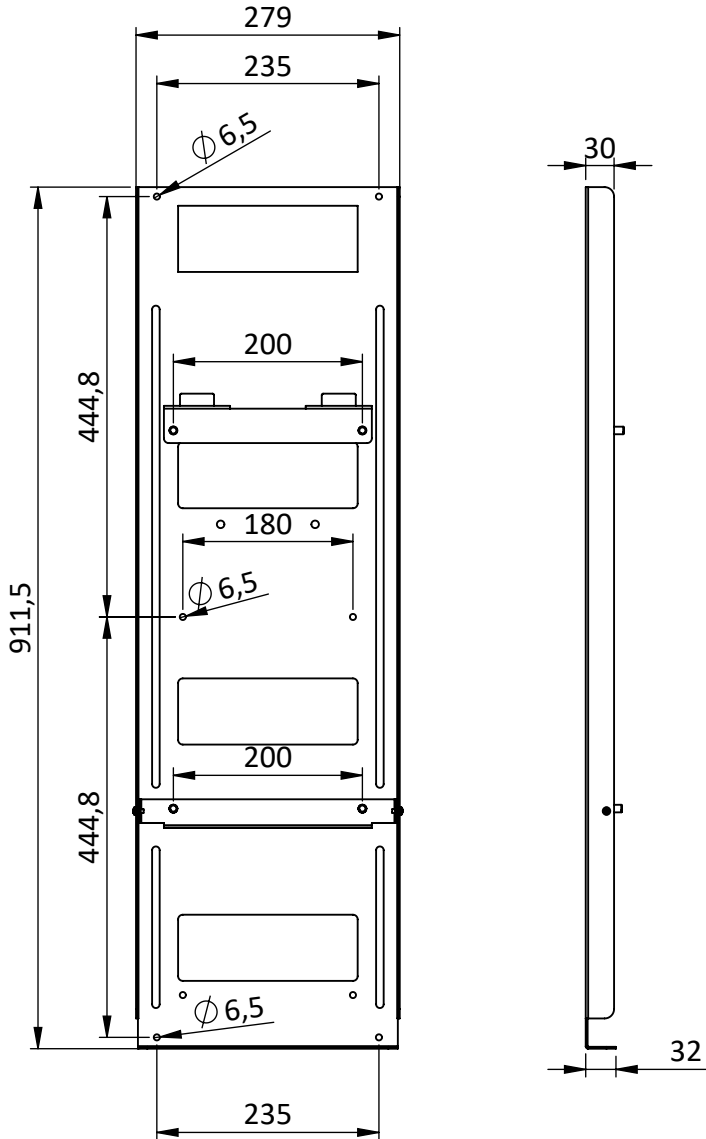


4x M8x25 Phillip screw



2x M4x8 Phillip screw

# Dimensions [mm]

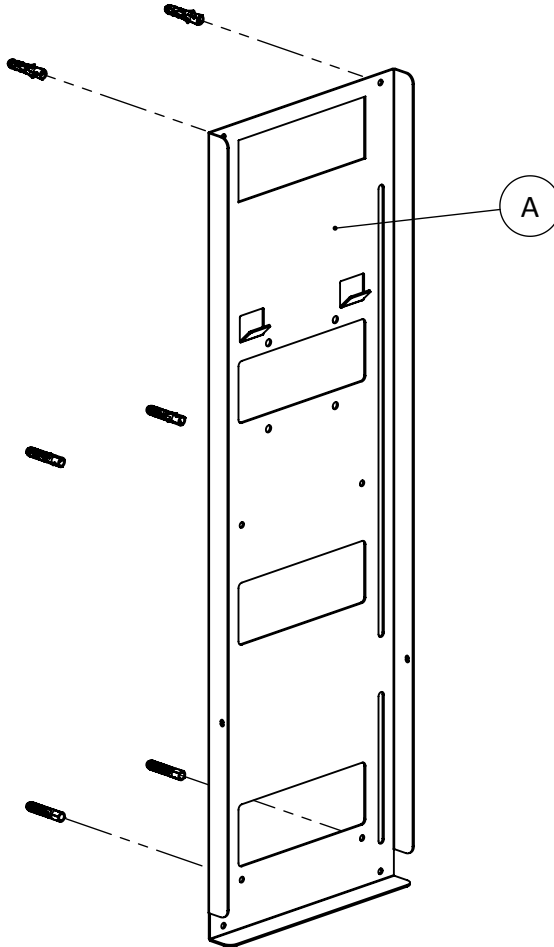


# Steps

**Step 1:** Mount wall bracket (A) on to the wall

Parts needed  
1x (A)

**WARNING:** No fixings are supplied as part of the product. It is the responsibility of the installer to use the correct fixings for the specific installation site.



# Steps

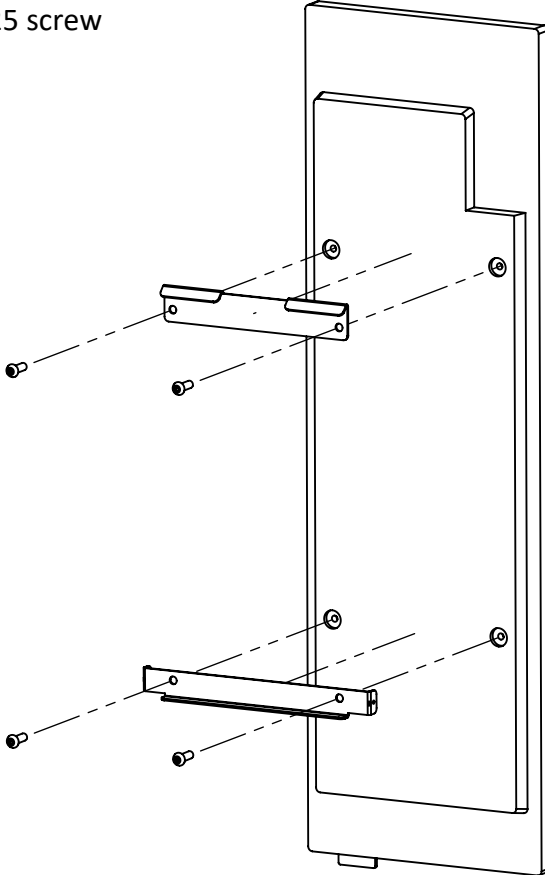
**Step 2:** Mount screen bracket (B) and (C) onto the screen

Parts needed

1x (B)

1x (C)

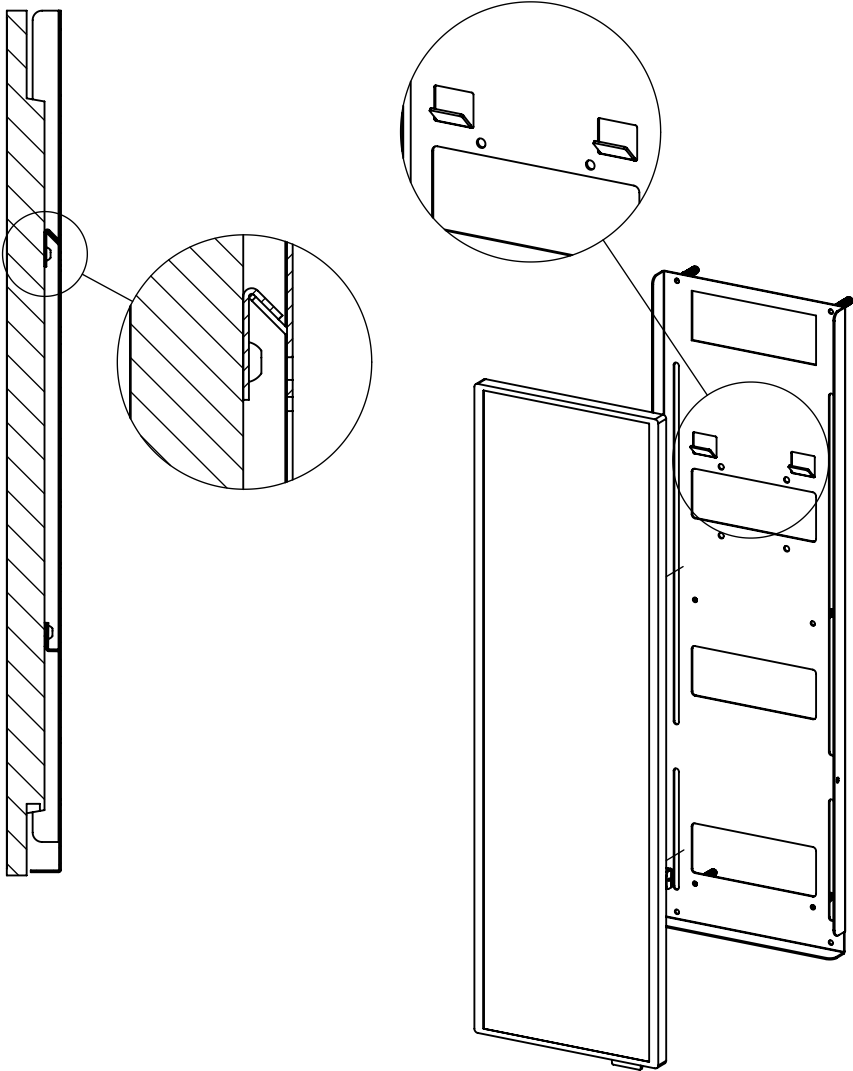
4x M8x25 screw



# Steps

## Step 4: Hook the screen onto the wall bracket

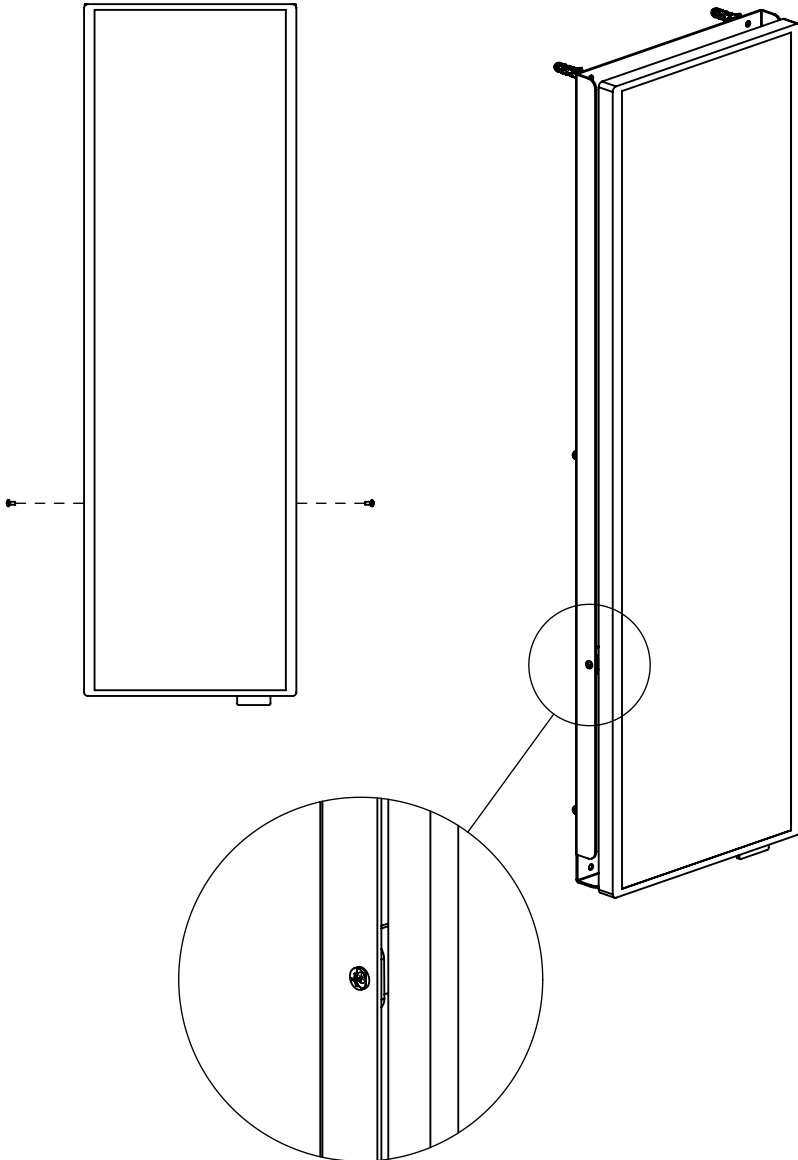
Attach the screen to the wall bracket and slide it down on the two hooks.



# Steps

**Step 5:** Secure the screen on the wall bracket

Tighten the 2x M4x8 Phillip screw





*This page intentionally left blank*

*This page intentionally left blank*

*This page intentionally left blank*

Need help? Contact us



[ergonomic.solutions/about/contact-us](https://ergonomic.solutions/about/contact-us)

[spacepole.com/about/contact-us](https://spacepole.com/about/contact-us)